

SYSTEM 75

CONNECTORS

CEILING-MOUNTED VALVE CONNECTOR

FlexiVent 0811125/75x3

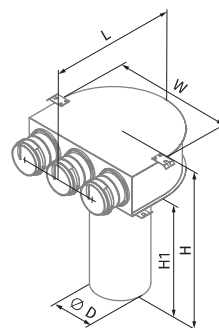
For supply or exhaust ventilation systems of residential spaces.
Ceiling mounted.
Connecting the ventilation grille to \varnothing 75 mm FlexiVent ducts.



- The connector is made of metal and fitted with polypropylene spigots.
- Fixation of the FlexiVent air duct with the **FlexiVent 0375** lock ring (included in the delivery).
- The **FlexiVent 0575** sealing ring (available as a special accessory) is used to provide airtightness class "C".

Air flow [m ³ /h]	Quantity of connected air ducts	Air supply. Pressure drop [Pa]	Air exhaust. Pressure drop [Pa]
30	1	3.2	4.0
60	2	3.9	5.0
90	3	7.8	8.8

Dimensions [mm]	\varnothing D	H	H1	L	W
FlexiVent 0811125/75x3	127	401.3	300	309	300



CEILING-MOUNTED VALVE CONNECTOR

FlexiVent 0812125/75x2

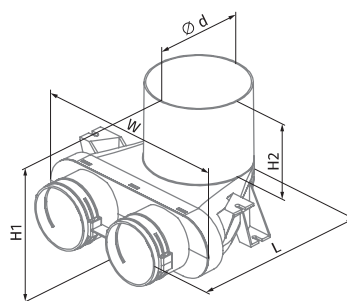
For supply and exhaust systems in residential premises.
Ceiling mounted.
Connecting the ventilation grille to \varnothing 75 mm ducts.



- Connection diameters: 75 mm.
- Ducts are fastened with **FlexiVent 03** locks, included in the delivery.
- The duct is fitted with **FlexiVent 0575** slip-on seal to retain air-tightness class "C" (purchased separately).
- Made of polypropylene (PP) with thermoplastic elastomer (SEBS).
- Operating temperature: from -20 to +60 °C.

Air flow [m ³ /h]	Quantity of connected air ducts	Air supply. Pressure drop [Pa]	Air exhaust. Pressure drop [Pa]
30	1	3.2	4.0
60	2	3.9	5.0

Dimensions [mm]	\varnothing d (inner)	H1	H2	L	W
FlexiVent 0812125/75x2	127	183	100	243	266



CEILING-MOUNTED VALVE CONNECTOR

FlexiVent 0810125/75x3

For supply and exhaust systems in residential premises.
Ceiling mounted.
Connecting the ventilation grille to \varnothing 75 mm ducts.



- Connection diameters: 75 and 125 mm.
- Ducts are fastened with **FlexiVent 03** locks, included in the delivery.
- The duct is fitted with **FlexiVent 0575** slip-on seal to retain air-tightness class "C" (purchased separately).
- Made of polypropylene (PP) with thermoplastic elastomer (SEBS).
- Operating temperature: from -20 to +60 °C.

Air flow [m ³ /h]	Quantity of connected air ducts	Air supply. Pressure drop [Pa]	Air exhaust. Pressure drop [Pa]
30	1	3.2	4.0
60	2	3.9	5.0
90	3	7.8	8.8

Dimensions [mm]	\varnothing d (inner)	H1	H2	L	W
FlexiVent 0810125/75x3	127	183	100	243	266

